

Sheet: /  
 File: TransverterBox.kicad\_sch

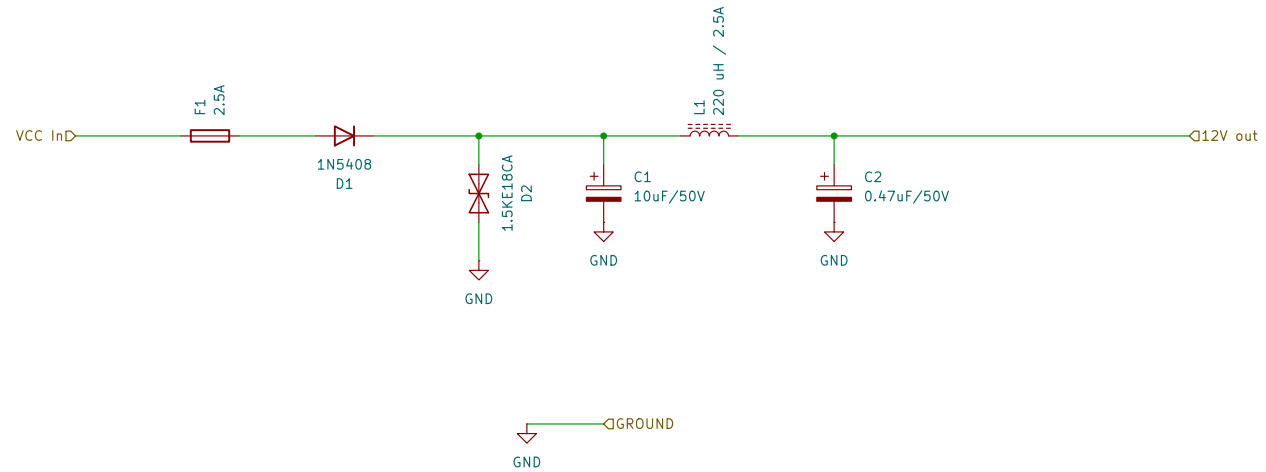
**Title: Transverter Box**

Size: A4 Date: 2026-03-30

Rev: PA1

KiCad E.D.A. 10.0.3

Id: 1/2



Sheet: /Input Voltage Protection/  
File: untitled.kicad\_sch

**Title: Input Voltage Protection**

Size: A4 Date: 2026-03-30

Rev: PA1

KiCad E.D.A. 10.0.3

Id: 2/2